

Concrete • Steel • Design

▼ PRESS PITS and MACHINE FOUNDATIONS

**Complete Industrial Contracting Solutions**



**COMPLETE INDUSTRIAL CONTRACTING SOLUTIONS**

# COMPLETE INDUSTRIAL CONTRACTING SOLUTIONS

Press Pits and Machine Foundations

Steel Design Fabrication and Construction

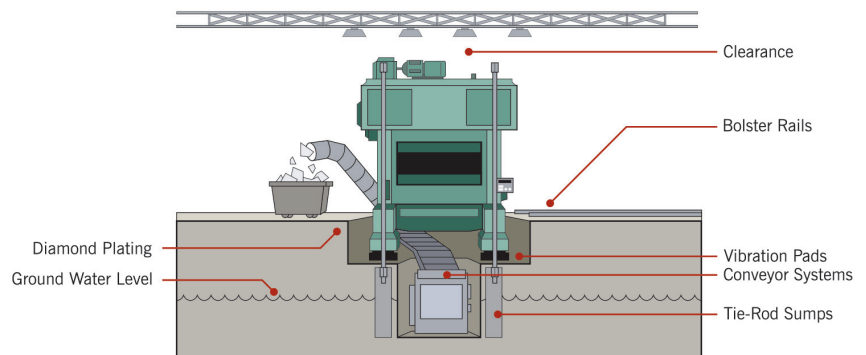
Concrete Flatwork

## PRESS PITS AND MACHINE FOUNDATIONS

Delta Industrial is a design – build specialist, recognized as a leading foundation contractor by most major machine and press manufacturers. With a unique ability to work directly with the manufacturer and customer, Delta is able to utilize the drawings of the newly acquired machine or press to generate a foundation specifically tailored to accommodate the customers specialized needs.

**It's not just digging and pouring... Did you consider:**

- Construction Process Description (shoring, dewatering, forming)
- Additional Services (special concrete)
- mix designs, vibro pads)
- Bolster Rails
- Tie-Rod Sumps
- Trenching
- Conveyor Systems
- Diamond Plating



Delta also provides programs for “Turn-Key” installations to encompass all rigging, electrical/mechanical, floor plating, roof raises or even building additions.



## STEEL DESIGN FABRICATION AND CONSTRUCTION

The Steel Shop produces a solid portfolio of projects completed in a cost effective and structurally sound manner. With a completely tooled fabrication shop – including steel shears, press brakes, pipe benders and more.

The Steel Shop can provide design and detail drawings to fabricate a product that is simply unmatched in today's industry. Plus, as a fully-capable fabrication shop, The Steel Shop is able to control all aspects of the fabrication process, thereby achieving the exceptionally quick response times needed when given the compressed timelines dictated by today's industries.

From conception through design to finished product, The Steel Shop provides services to accommodate all of your steel design and fabrication needs.

### Proudly providing the following steel fabrication and construction services:

- Mechanical Trench
- Electrical Trench
- Containment Trench
- Trench Grating
- Smooth Plating
- Diamond Plating
- Mezzanines
- Platforms
- Ladders
- Stairways
- Hand Railings
- Guard Railings
- Crane Support Structures
- Anchoring Systems
- Specialty Embeds
- Conveyors
- Bolster Rails
- Leveling Plates
- Scrap Chutes
- Bollard Poles
- Dumpster Rails
- Door Jambs
- Door Headers
- Sumps
- Roof Raising
- Building Expansions
- Canopy Structure





## **CONCRETE FLATWORK SPECIALISTS**

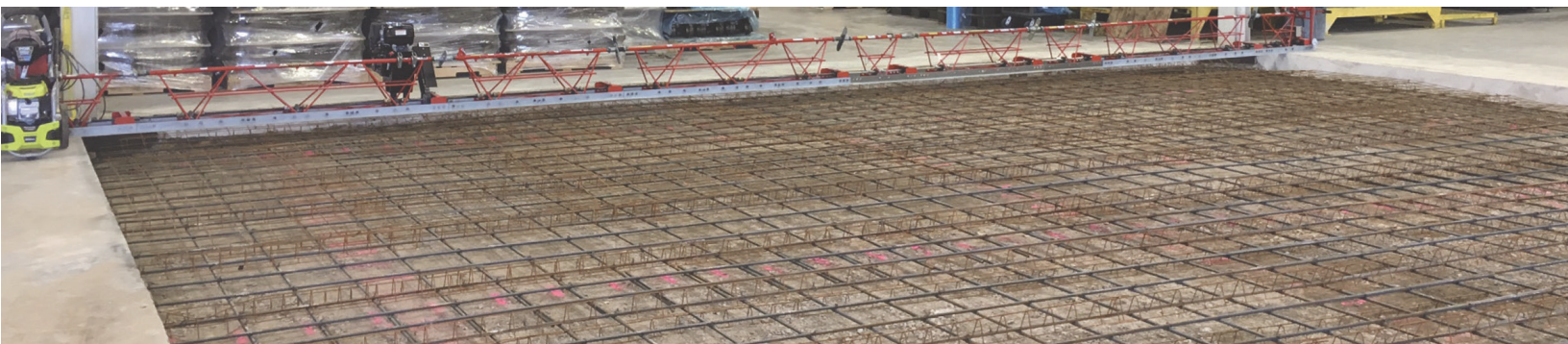


As a recognized leader in industrial and commercial concrete, Delta Industrial has built a reputation for engineering superior quality finished products. From concrete flatwork through steel work and machine foundations, Delta Industrial prides itself in establishing the benchmark for quality industrial work while seeking the ultimate contracting solution.

As you look around your factory or office, the effects of weather and traffic on your concrete areas are all too obvious. New cracks, chipped floors, pot-holes and slab heave are only a short list of the problems that you may see. Not only are these areas an eyesore, but they place undue stress on your factory equipment and may even create an unsafe work environment for your employees.

Delta Industrial can help. Delta can remove and replace these damaged areas in a manner that is managed efficiently so as to not disrupt your production schedule. In addition, Delta works directly with the concrete batch facilities, allowing us the ability to offer our customers specially-engineered concrete mix designs to facilitate usage within 72 hours.

From conception through design to finished product, Delta provides in-house services to accommodate all of your concrete and flatwork needs.



Press Pits and Machine Foundations

Steel Design Fabrication and Construction

Concrete Flatwork



**COMPLETE  
INDUSTRIAL  
CONTRACTING SOLUTIONS**

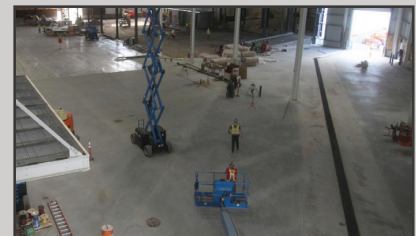
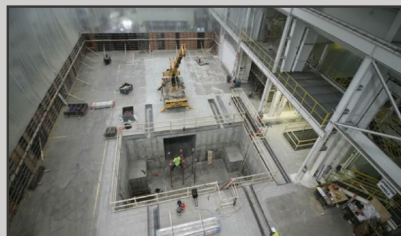
**DESIGN • BUILD • BENEFIT**

Delta offers a variety of professional services with the customers best interests in mind. These services include such items as machine & press foundations, steel slitting lines, general building maintenance & construction, concrete flatwork and steel design, fabrication & construction. With the diversity of construction knowledge that Delta brings to the jobsite it quite simply **GUARANTEES** success in all facets of the project, regardless of the scope of work.

Delta is a full-performance company, able to control every aspect of the construction process. By holding outside rentals and subcontractors to a minimum, Delta excels at quick-response times and meets compressed project timelines.

Delta's in-house engineers design and produce CAD drawings to ensure design reliability and longevity of construction, with precision results. They will use the drawings of your newly acquired machine and work with you to generate a foundation specifically tailored to accommodate your company's individual needs. In addition, Delta can also provide specialized services such as soil and vibration testing. These specialized tests can assist in assuring that your foundation is properly designed to accommodate all applicable loads, meeting or exceeding warranty requirements specified by the machine manufacturer.

Drawing on more than 30 years of professional experience, Delta is well versed in a variety of construction services. From concept through design to finished product, Delta provides in-house services to accommodate all of your industrial needs.



# DELTA<sup>®</sup>

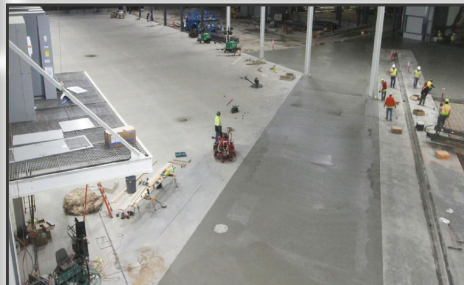
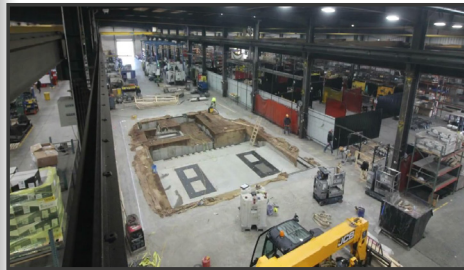
INDUSTRIAL  
CONCRETE • STEEL • DESIGN

586.598.1390  
www.deltaconcrete.com

Press Pits and Machine Foundations

Steel Design Fabrication and Construction

Concrete Flatwork



51825 Gratiot Ave. • Chesterfield, MI 48051  
Telephone 586 598 1390 • Facsimile 586 598 3725